

Submittal Data

Model LA/LX/LXR

Low Intensity Infrared Heaters



SUPERIOR
RADIANT PRODUCTS

Project _____
 Engineer _____
 Contractor _____
 Model # _____

Date: _____
 Submitted by: _____
 Approved by: _____

General Specification

Fuel Type (<i>Check one</i>) Natural Gas LPG	Heat Exchanger (<i>Check one</i>) Heat Treated Aluminized Steel
Inlet Gas Pressure Minimum Natural Gas @ 5" W.C. LPG @ 11.5" W.C. Maximum Natural Gas & LPG @ 14"	Electrical: (<i>Select thermostat</i>) 120VAC, 60 Hz, 1A 30" long, 3 Prong Power Lead Line Voltage 24v Thermostat

Manifold Gas Pressure Nat. Gas 3.5" W.C. LPG 10.5" W.C.	Flue/Air Connections 4" Diameter Connection Maximum Vent Length = 30 feet Maximum fresh Air Length = 30 feet Vent + Fresh Air = 50 feet max.
Gas Connection 1/2" NPT (female)	

Accessories (<i>Check all that apply</i>) Thermostat Vent Terminal Wall Thimble Gas Flex Connector Shut Off Valve U Bend Pkg. Side Reflectors Flue Connecting Tee (4x4x6)

MODEL	RATE BTUH	FACTORY APPROVED HEATER LENGTH			PROJECT MODIFICATION	Quantity on Project
		(<i>Check length - feet</i>)				
LA/LX/LXR-40	40,000	30	40			
LA/LX/LXR-60	60,000	30	50			
LA/LX/LXR-80	80,000	40	60			
LA/LX/LXR-100	100,000	50	50			



Introduction

Superior Radiant offers its 20 years of infrared expertise in a cost effective unitary heater design as culmination of that commitment. Series LA/LX/LXR models are field assembled, low intensity infrared heaters that are easy to install and maintain, and which were engineered with significant input from our customers. They are designed to provide economical operation and trouble-free service for years to come.

This document is for submittal purpose only and should in no way replace the installation and operation manual.

Installation Codes

Installations must comply with local building codes, or in their absence, the latest edition of the national regulations and procedures as listed below.

General Installation and Gas Codes

Heaters must be installed only for use with the type of gas appearing on the rating plate, and the installation must conform to the National Fuel Gas Code, ANSI Z223.1/NFPA 54 in US, CAN/CGA B149.1 and B149.2 in Canada

Gas Supply Lines

Gas supply pipe sizing must be in accordance with the National Fuel Gas Code, ANSI Z223.1/NFPA 54 in US, CAN/CGA B149.1 and B149.2 in Canada. A 1/8" inch NPT plugged tap must be installed in the gas line connection immediately upstream of the burner farthest from the gas supply meter to allow checking of system gas pressure.

Electrical

All heaters must be electrically grounded in accordance with the National Electric Code, ANSI/NFPA 70 in the US, CSA C22.1 in Canada.

Venting

Refer to the National Fuel Gas Code, ANSI Z223.1/NFPA 54 in US, CGA B149.1 and 149.2 in Canada.

General Specifications

General Specifications

Gas Supply

Inlet Pressure

Natural Gas:	Minimum	5.0" W.C.	Propane Gas:	Minimum	11.5" W.C.
	Maximum	14.0" W.C.		Maximum	14.0" W.C.

Manifold Pressure

Natural Gas:	3.5" W.C.	Propane Gas:	10.5" W.C.
--------------	-----------	--------------	------------

Inlet Connection

Natural Gas or Propane: 1/2" female NPT

Electric Supply

120 VAC, 60 HZ, 1 Amp: 36" cord with grounded 3 prong plug

Flue and Outside Air Connection

4" O.D. male connection for flue adapter and outside air (optional) provided at the heater

Dimensional Charts

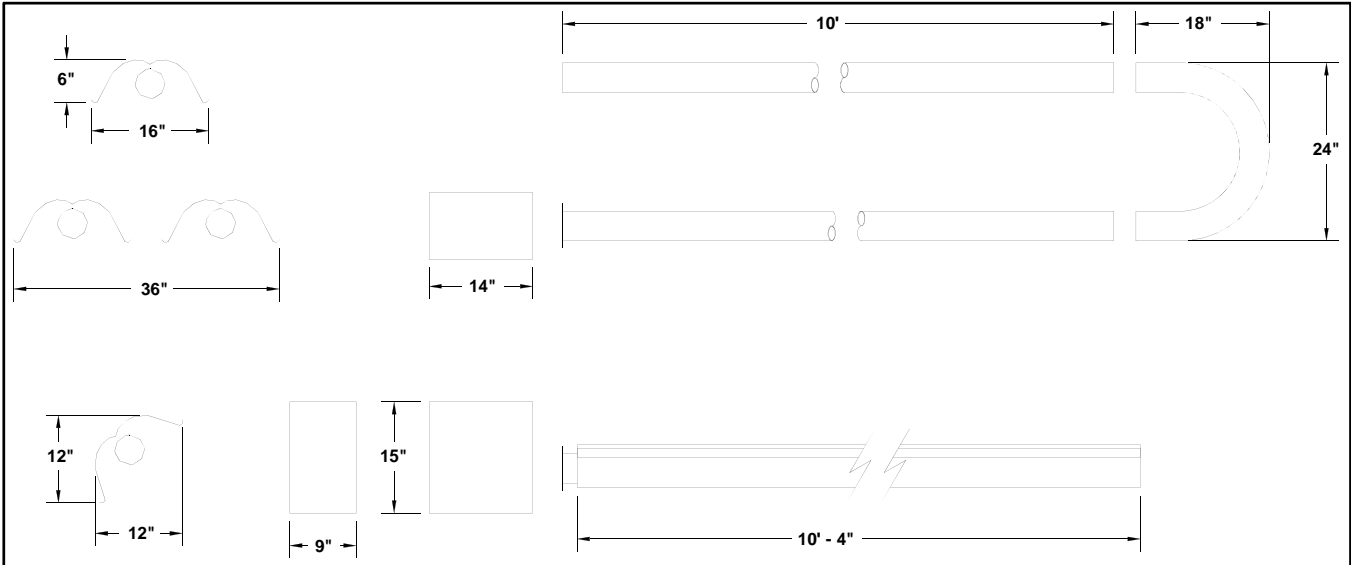


Figure 1: Overall Dimensional Information

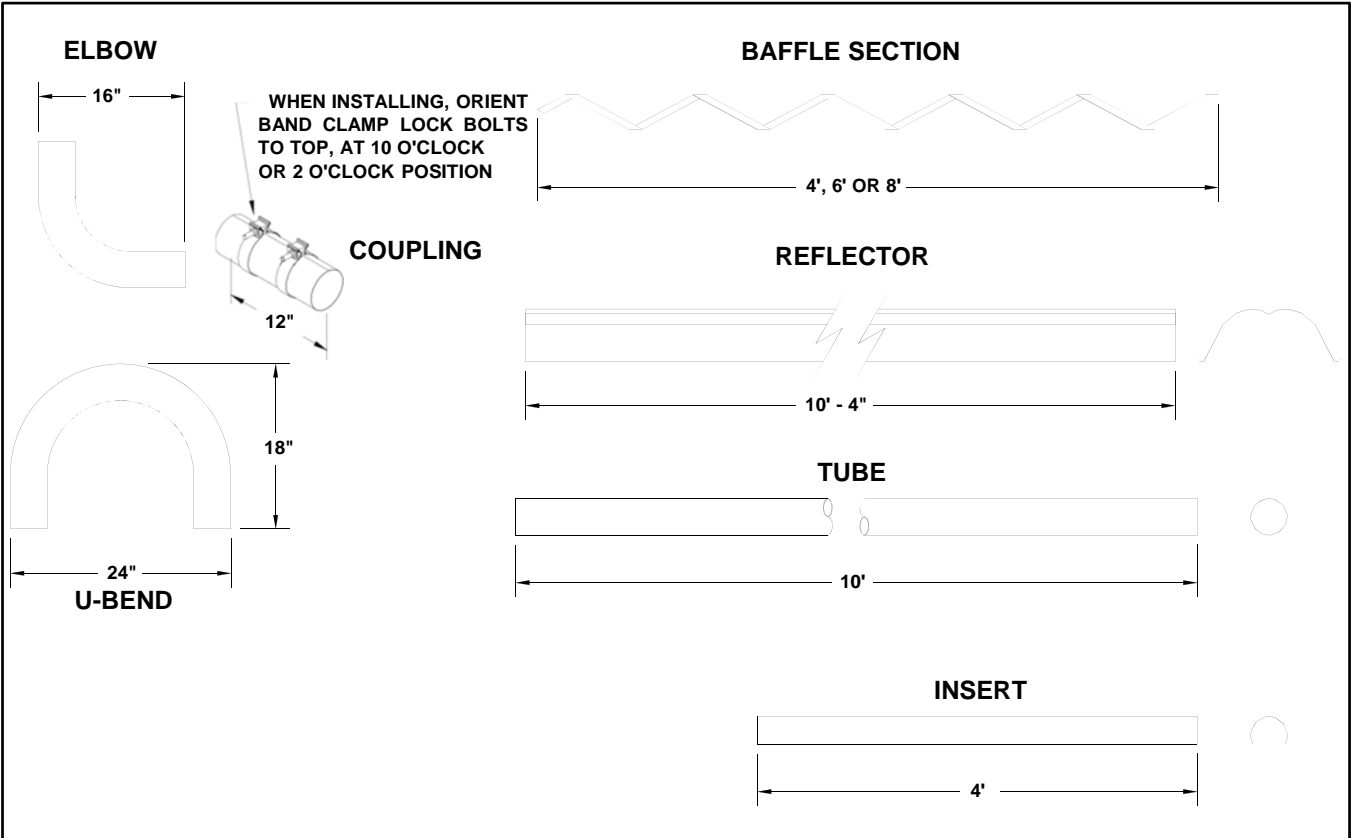


Figure 2: Component Dimensional Information

Configurations

Model	High Rate (BTU/Hr)	Heat Exchanger Length (ft.)		Baffle Length (ft.)
		Minimum	Maximum	
LA/LX/LXR-40	40,000	30'	40'	12'
LA/LX/LXR-60	60,000	30'	50'	12'
LA/LX/LXR-80	80,000	40'	60'	6'
LA/LX/LXR-100	100,000	50'	50'	Three 4' lengths

Table 1: Configuration Information

Note:

- Baffles are always placed in the last section of radiant tube except for the 100,000 BTU Burner.
- Baffles are either aluminized or stainless steel sections 6' long.
- When only 6' is required (80,000 BTU), an aluminized steel baffle is installed.
- When 12' is required (40,000 or 60,000 BTU) the aluminized steel baffle is lengthened forward (*Toward the burner*) with a 6' stainless steel section.
- In the case of a 100,000 BTU system, place 4' sections of baffle in the end of each of the last 3 10' sections of tube.

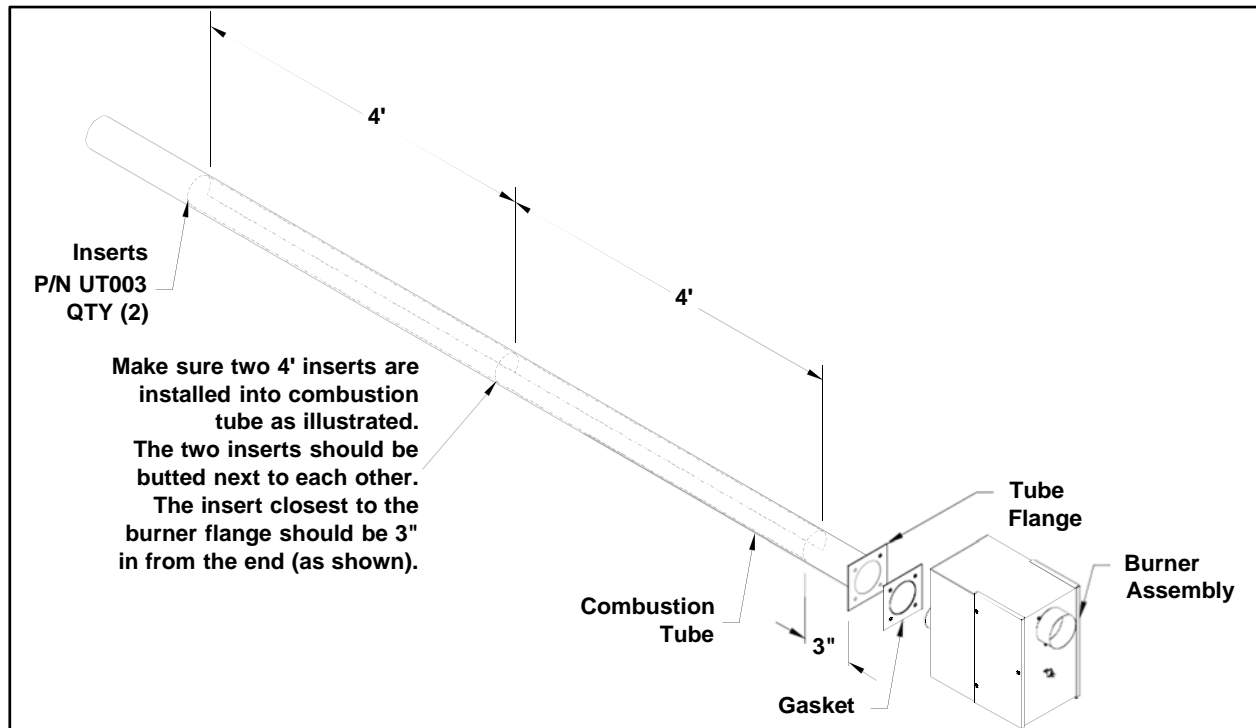
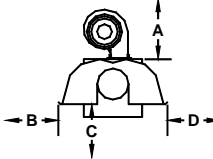
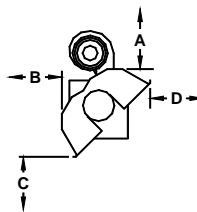
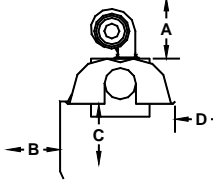
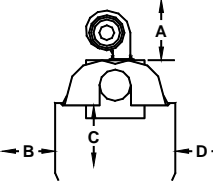
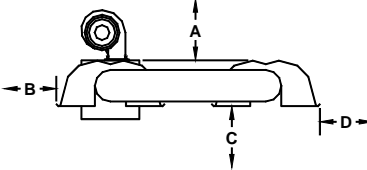
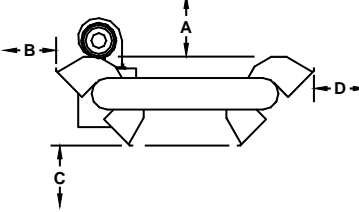


Figure 3: Stainless Steel Insert Installation

Clearance to Combustibles

Table 1: Minimum Clearance to Combustibles

		Model No.: LA/LX/LXR			
Reflector Configurations	Dim	40	60	80	100
Horizontal 	A	2"	2"	2"	2"
	B	4"	4"	4"	6"
	C	31"	31"	31"	36"
	D	4"	4"	4"	6"
45° Reflector Tilt 	A	3"	3"	3"	4"
	B	3"	3"	3"	3"
	C	18"	18"	18"	20"
	D	18"	18"	18"	20"
One Side Extension 	A	2"	2"	2"	2"
	B	2"	2"	2"	3"
	C	35"	35"	35"	36"
	D	6"	6"	6"	6"
Two Side Extension 	A	2"	2"	2"	2"
	B	2"	2"	2"	3"
	C	38"	38"	38"	38"
	D	2"	2"	2"	3"
U-Tube, Horizontal 	A	2"	2"	2"	2"
	B	4"	4"	4"	6"
	C	32"	32"	32"	38"
	D	4"	4"	4"	6"
U-Tube, Opposite 45° 	A	3"	3"	3"	4"
	B	18"	18"	18"	20"
	C	18"	18"	18"	20"
	D	18"	18"	18"	20"
Unvented	Above End	12" 26"	12" 26"	18" 26"	18" 26"
Vented	End	18"	18"	18"	18"

A general clearance of 18” (0.5 m) in every direction is recommended for servicing only around each Burner, Vacuum Pump, and End Vent Cap air supply (at the far end of each Radiant Branch) also to ensure adequate air flow in and around the Heating System.

Generally, there is no unique sequence for installation of the burner or heat exchanger. A review of the job site will usually indicate a logical installation order. However, time and expense can be saved if installation is begun at the most critical dimension, watching for interference from overhead doors, cranes, auto lifts etc. Figure 4 to

Figure 6 provides a general overview of the components utilized in the installation, as well as their general relationship.

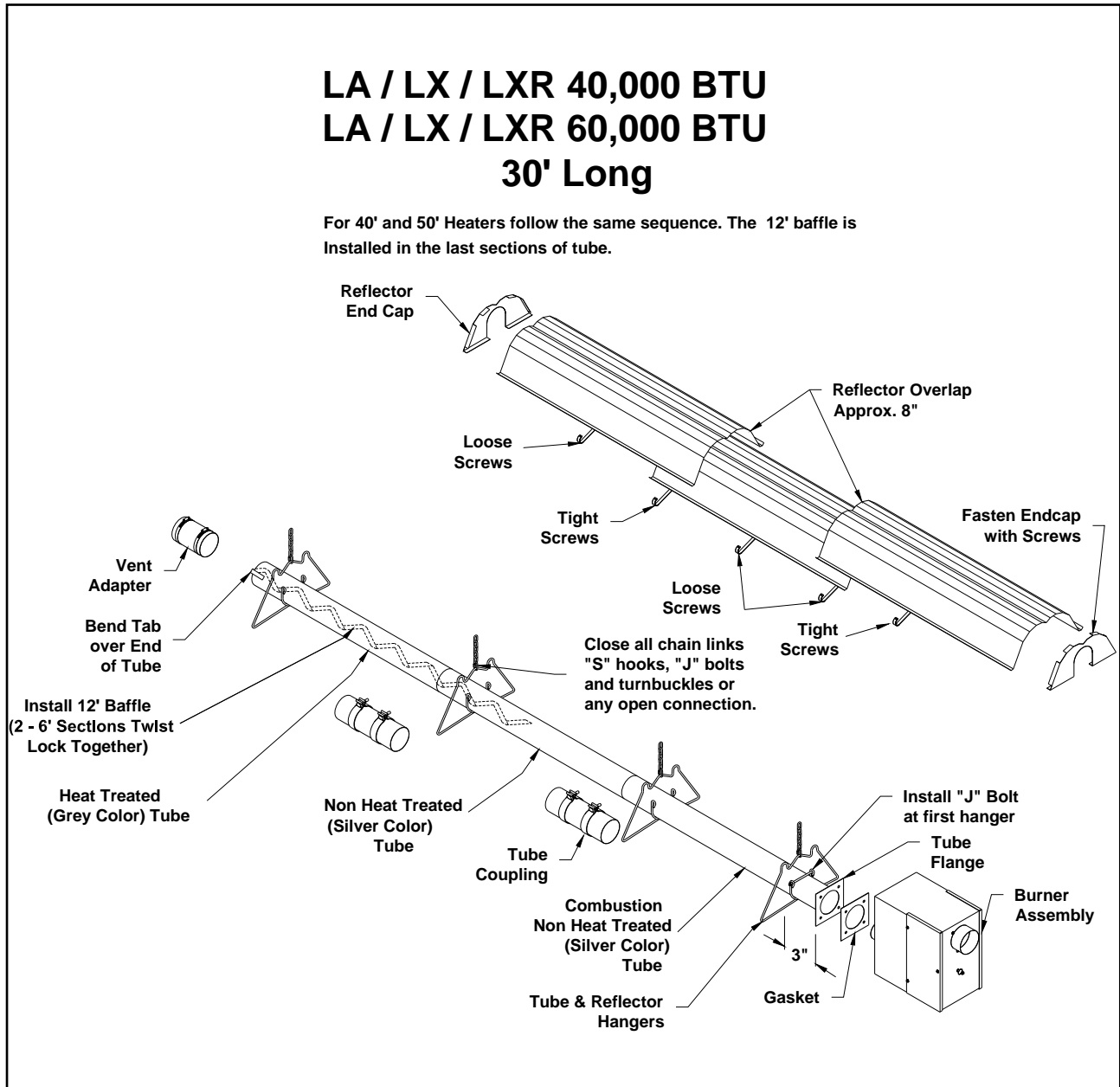


Figure 4: Installation Configurations for 40,000 & 60,000 BTU Models

Installation

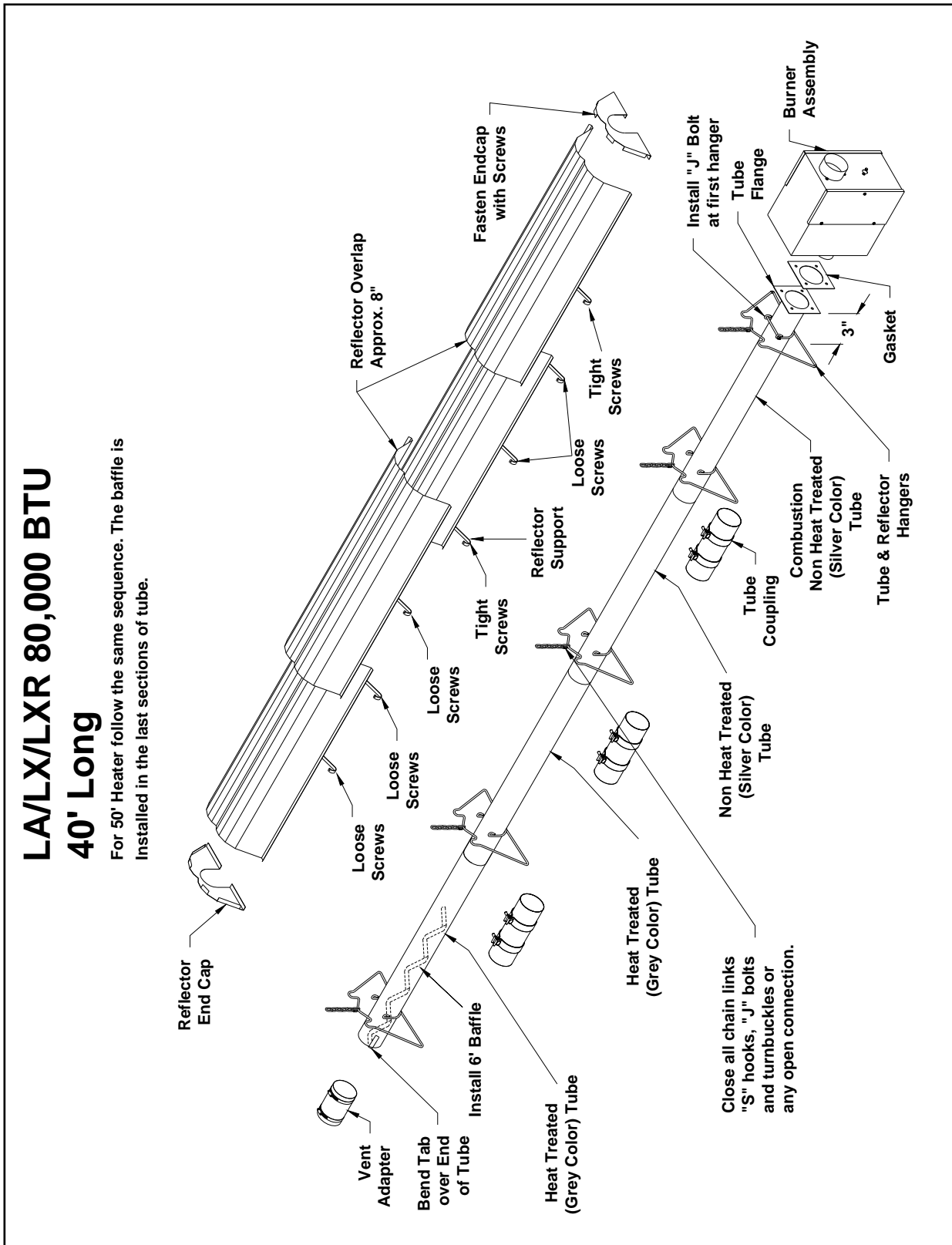


Figure 1: Installation Configuration for 80,000 BTU Model

LA/LX/LXR 100,000 BTU 50' Long

For 60" Heater follow the same sequence. The baffles are installed in the last three sections of tube.

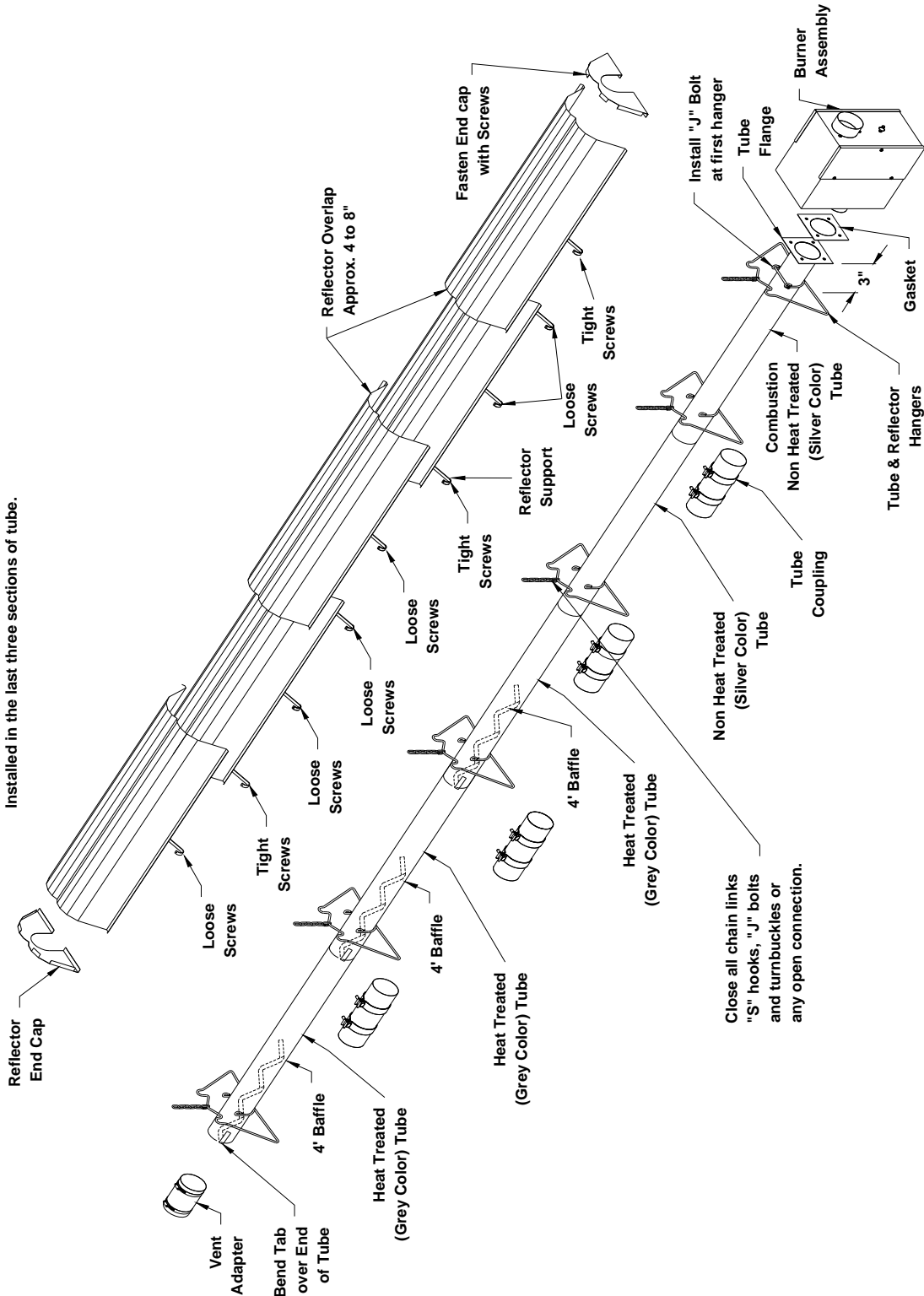


Figure 2: Installation Configuration for 100,000 BTU Model

Installation

A general ordered sequence for installation is provided below for reference.

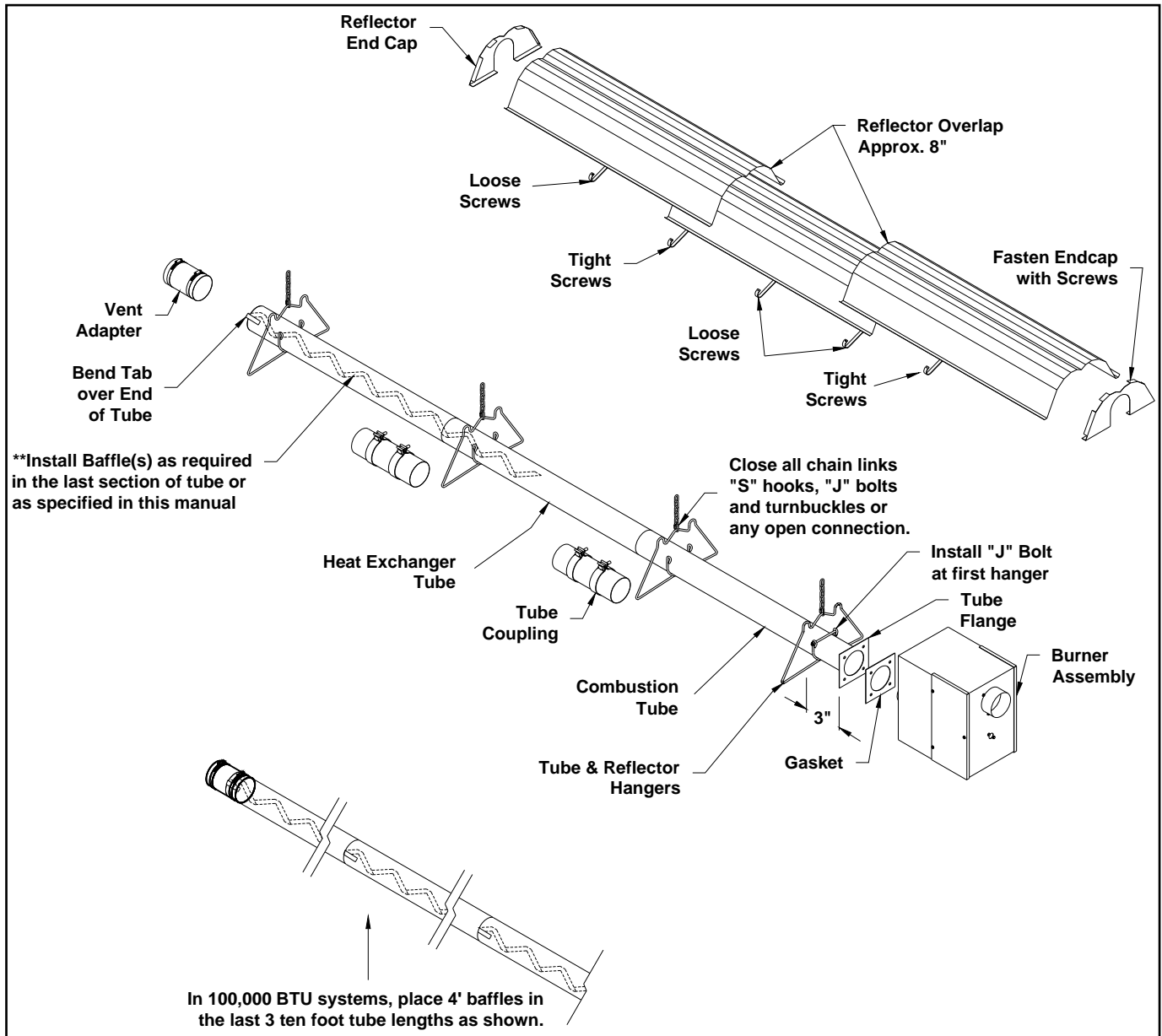


Figure 3: General Overview of Installation

- A general overall view of the tubes and reflector hangers are shown in Figure 15 below

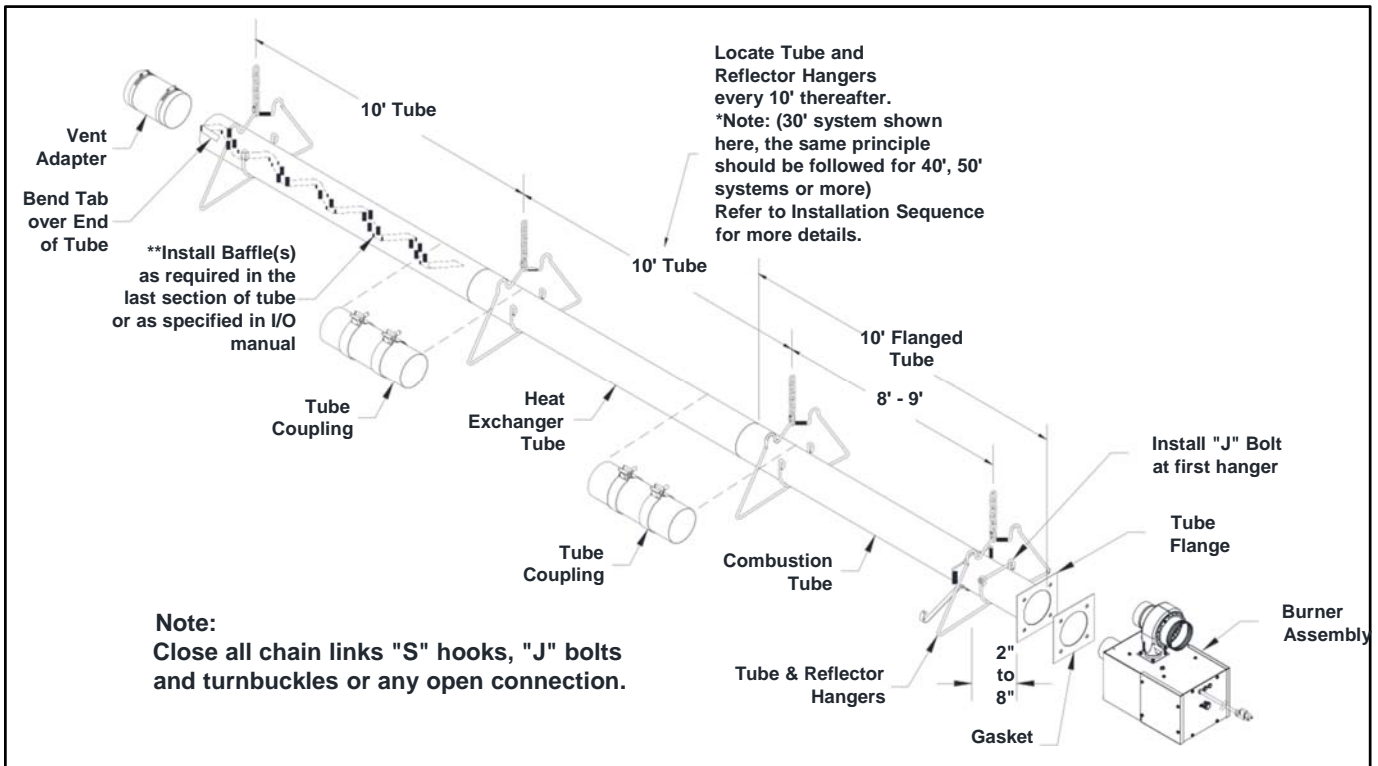


Figure 15: Overall view of Tubes and Reflector Hangers

Venting / Combustion Air Ducting

General Requirements

- Refer to the *National Fuel Gas Code*, ANSI Z223.1 (NFPA 54) in US, CAN/CGA B149.1 and B149.2 in Canada
- Series LA/LX/LXR Infrared Heaters may be installed vented or unvented.
- Series LA/LX/LXR Infrared Heaters may be vented horizontally or vertically using conventional venting materials.
- Optional outside air supply may be directed to the heater horizontally or vertically.

IMPORTANT

- Maximum total vent length allowed for any model heater is 30'.
- Maximum total fresh air inlet duct length allowed for any model heater is 30'.
- Total of vent length plus outside air supply duct length cannot exceed 50' for any heater with minimum heat exchanger length.
- If condensation in the vent pipe or outside air supply duct is a problem, shorten or adequately insulate the section

Note: The above stated requirements assume a maximum of 2 elbows in the total combination of vent and air supply duct. Subtract 5' of allowable length for each elbow if 3 or more elbows are used.

Un-Vented Operation

- Requirements for combustion air supply and dilution air vary by jurisdiction, building type and specific installation details. **See local codes for guidance.** In general, fresh air ventilation must be provided to the building space at **(4 cfm per 1000 BTU/Hr in US, 3 cfm per 1000 BTU/Hr in Canada)**
 - Optional outside air supply is not recommended for unvented heaters due to possible pressure imbalances in the building space.
 - Ensure that minimum combustible clearances are maintained for unvented heaters. Refer to Table 2, for required clearance dimensions.
-

Vented Operation

In all cases, be sure vent pipes and outside air supply ducts are sealed with approved sealant, such as high temperature RTV silicone. Double wall venting (B vent) may not require sealant.

Horizontal Venting

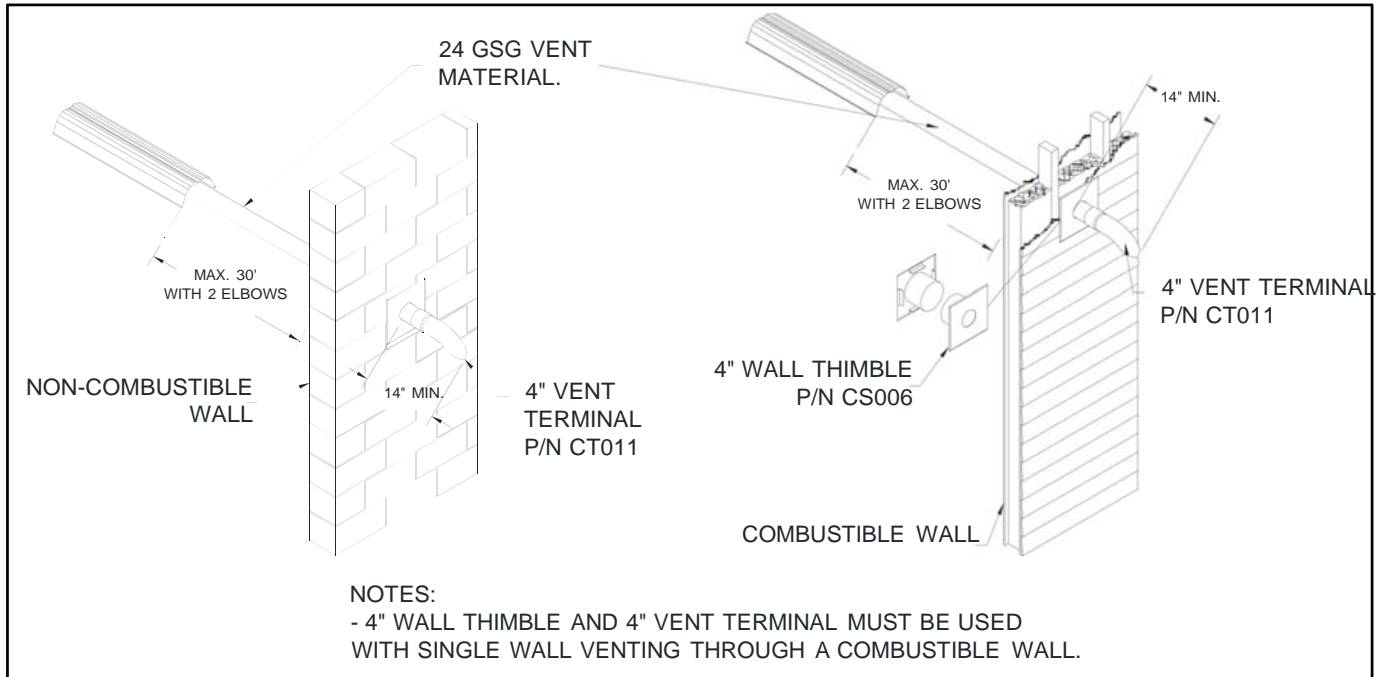


Figure 27: Horizontal Venting

Vertical Venting

- Minimum vent pipe size is 4" for an individual heater. Additional vent pipe sizes as required to accommodate multiple heaters venting through a common roof vent are defined in the appropriate gas installation code. (Refer to common venting section below).
- Use of an approved thimble to pass through combustible roof materials is required.
- Use of an approved vent cap is required.

Common Vertical Venting

- Common vent sizing information is defined in the appropriate gas installation code (Refer to ANSI Z223.1 in US, and CAN/CGA B149.1 and B149.2 in Canada)

Venting / Combustion Air Ducting

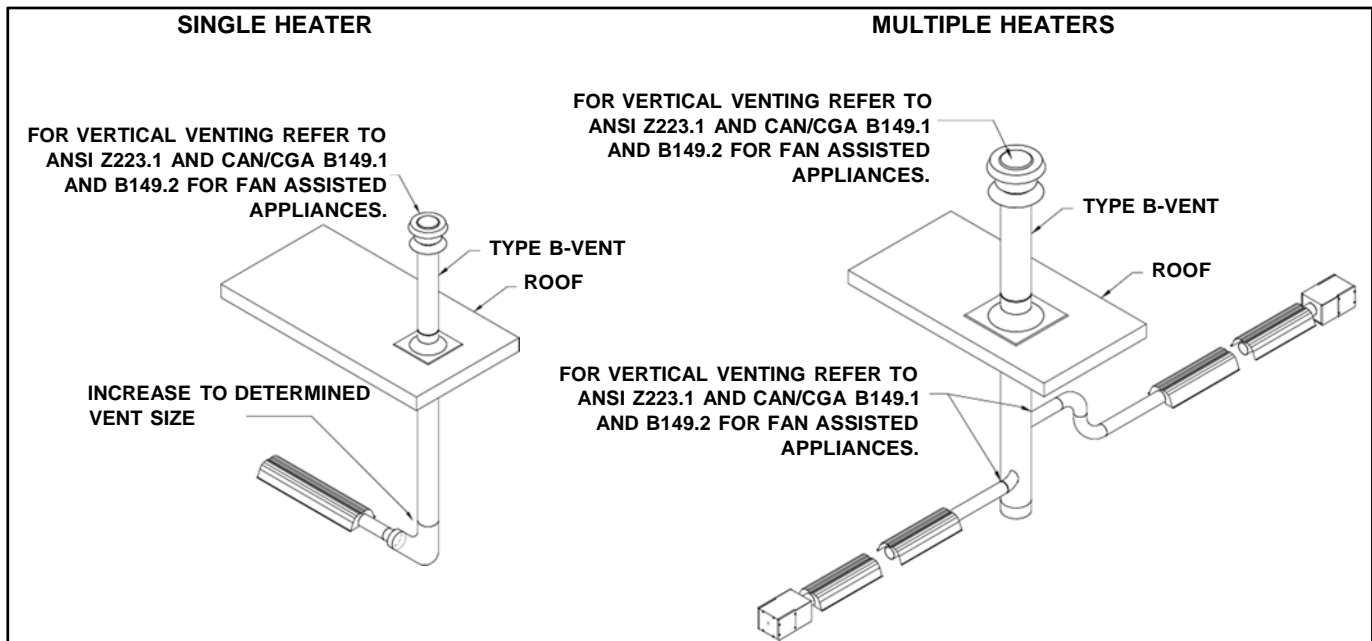


Figure 28: Vertical / Common Venting

Common Horizontal Venting

- Refer to Figure 29 for detailed Common Horizontal Venting guidelines.

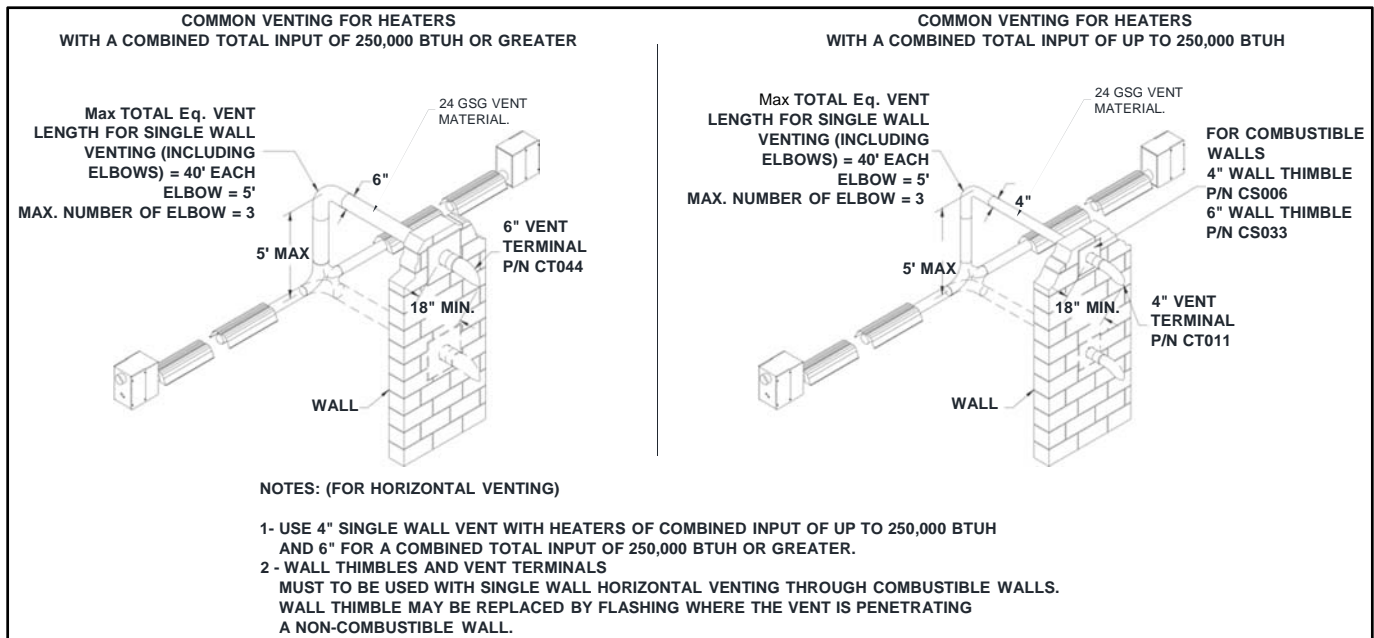


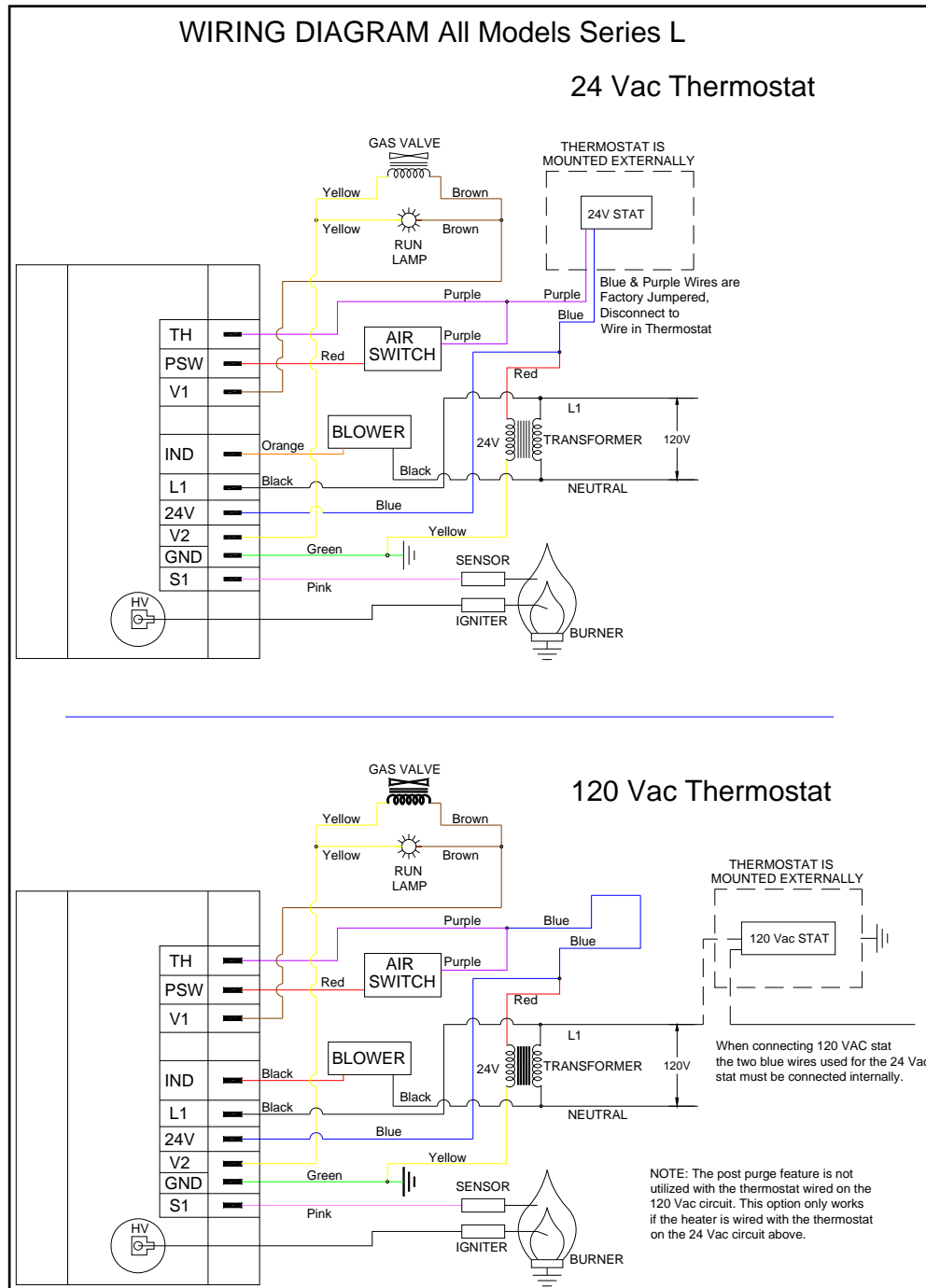
Figure 29: Common Horizontal Venting

Electrical Wiring

General Requirements

Heaters are normally controlled by line voltage (120V) or low voltage (24V) thermostats. Line voltage thermostats are wired directly while low voltage thermostats use a relay. In all cases, heaters must be grounded in accordance with the *National Electric Code*, ANSI/NFPA 70 in the US, and the *Canadian Electric Code*, CSA C22.1 in Canada, and must comply with all local requirements. Heaters may also be controlled with a manual line switch or timer switch in place of the thermostat. Refer to Figure 33 for guidance on electrical wiring of heaters.

If any of the original wire as supplied with the heater must be replaced, it must be replaced with wiring having a rating of at least 105°C temperature service and 600 volts capability.



LXR Wiring Only

The following wiring diagram is for LXR models only

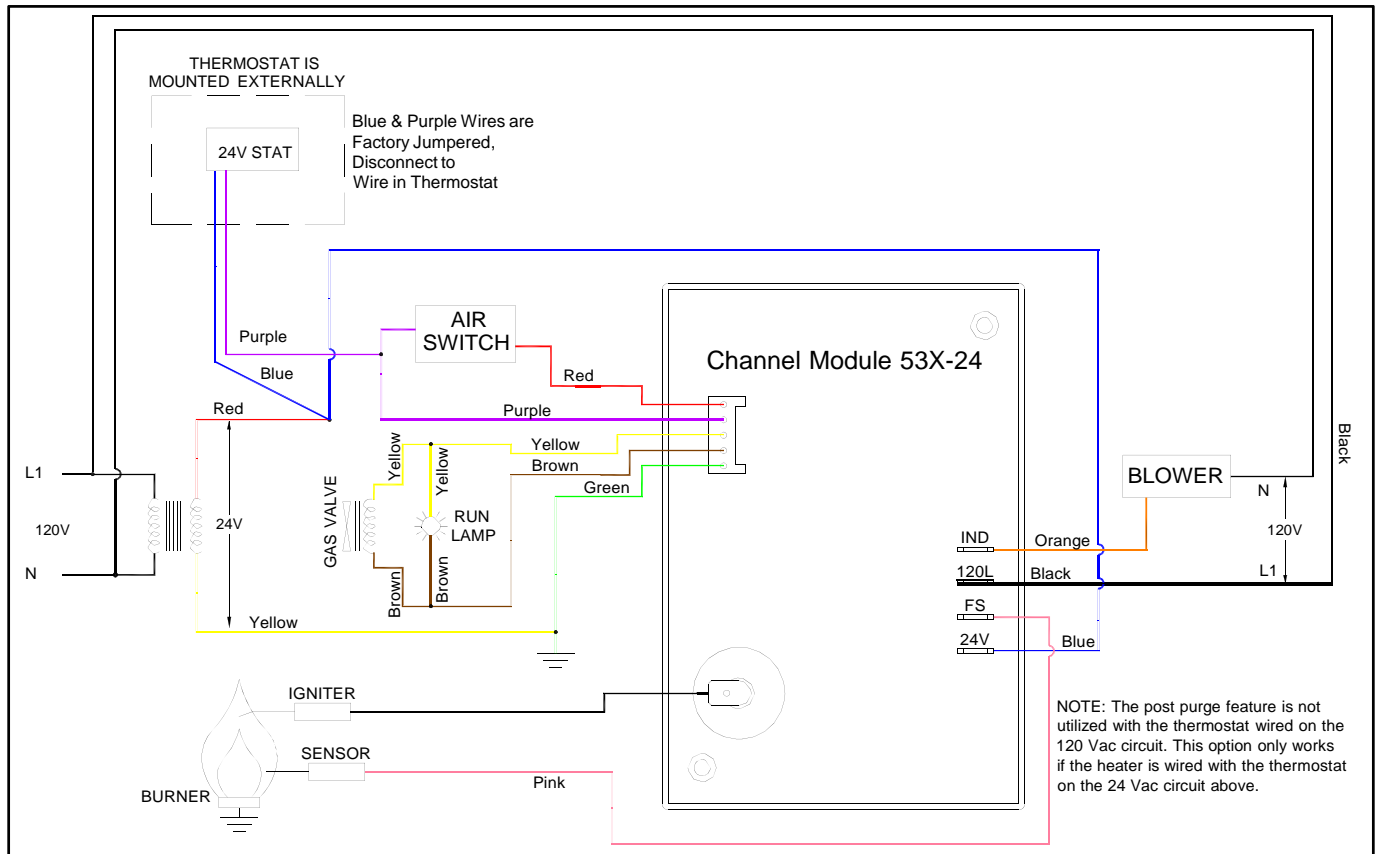


Figure 34: LXR Wiring Diagram